

Mikuni Heater Parts List

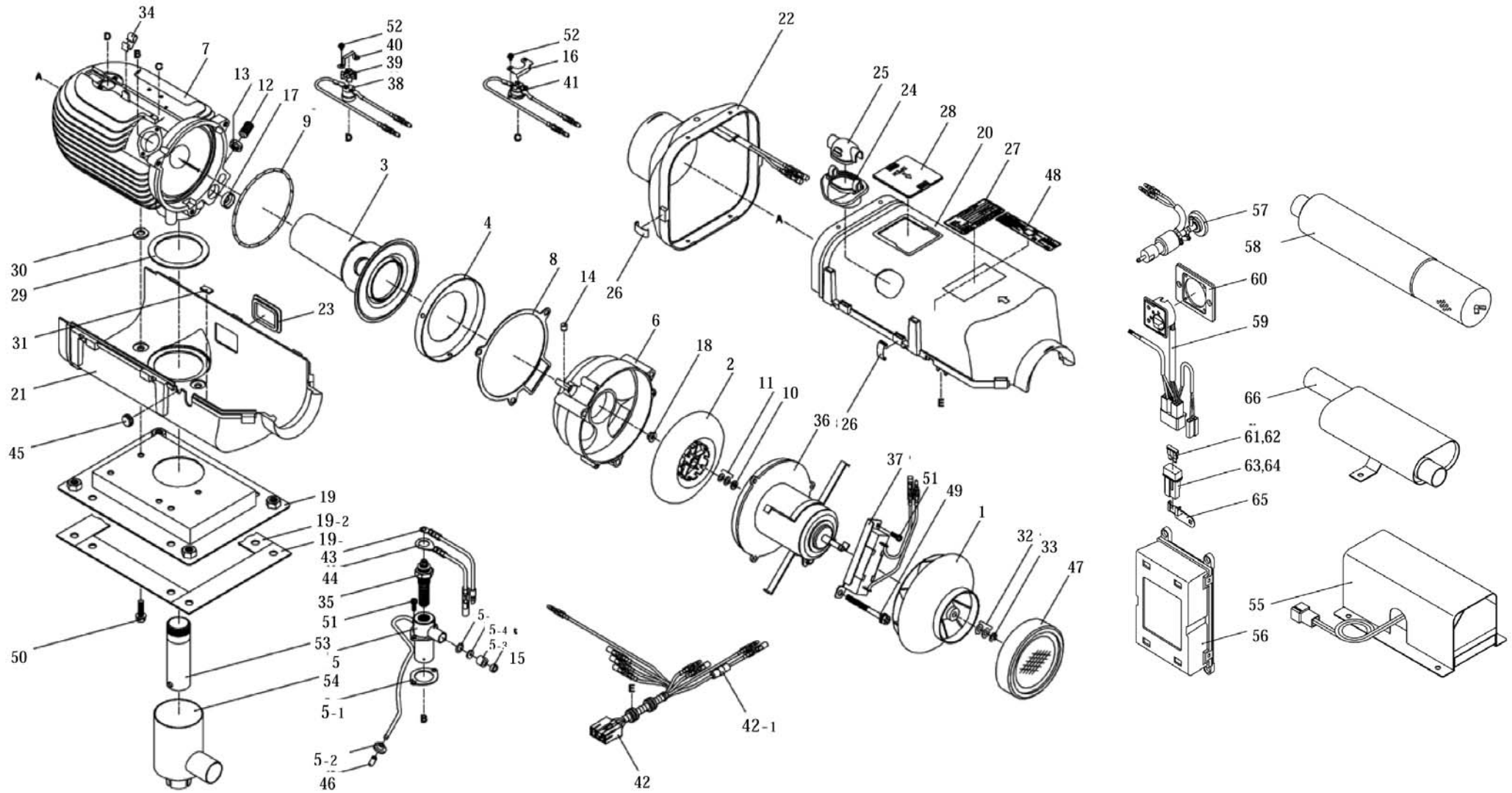
MY30





MIKUNI

MY30

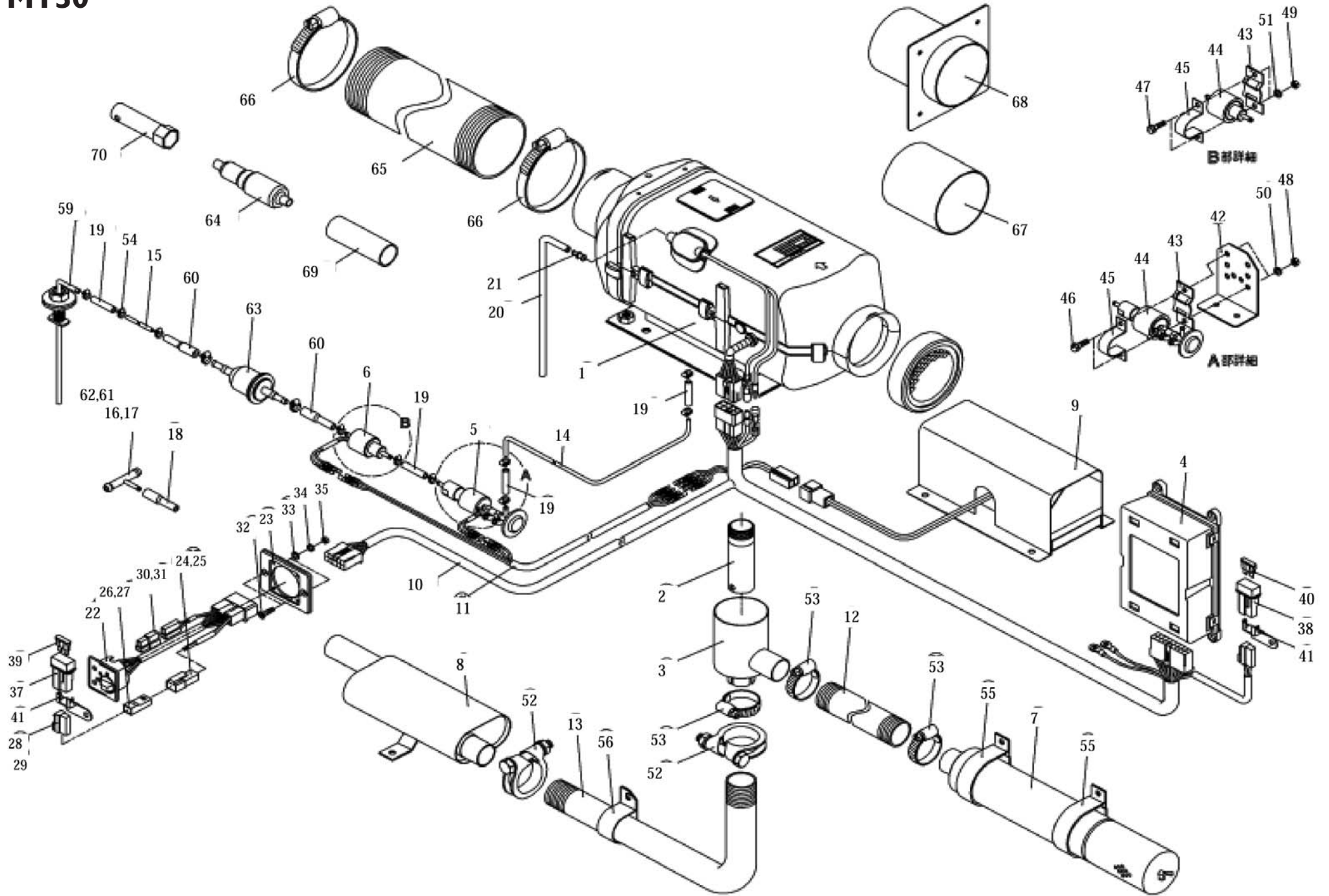


MY30 AFD, CFD

Item	Description	Part Number		Qty	Remark
		MY30AFD-2	MY30CFD-2		
1	Blower assembly	510 547	510 547I		
2	Combustion air blower	533 434A	533 434A	1	
3	Combustion chamber	510 775	510 775	1	
4	Swirler plate	510 780	510 780	1	
5	Glow plug boss assembly	510 671C	510 671C	1	
	Packing	012 058	012 058	1	
	Grommet	018 084	018 084	1	
	Silicone seal	018 101A	018 101A	1	
	Disc jet	003 140	003 140	1	
	O-ring	010 092	010 092	1	
6	Blower housing	510 411A	510 411A	1	
7	Heat exchanger	510 537D	510 537D	1	
8	Packing	012 056	012 056	1	
9	Gasket	013 081	013 081	1	
10	Washer	003 081	003 081	1	
11	Shim	003 083	003 083	-	
		003 104	003 104	-	
		003 084	003 084	-	
		003 085	003 085	-	
12	Set screw	001 115A	001 115A	1	for combustion air
13	Nut	002 122	002 122	1	
14	Plug	510 559	510 559	1	
15	Ring	019 031	019 031	1	
16	Plate	510 744	510 744	1	
17	Reducer	510 536A	510 536A	1	for combustion air
18	Flange nut	002 115	002 115	1	
19	Base assembly	510 584A	510 584A	1	
	Packing	013 292	013 292	2	
	Packing	013 293	013 293	2	
20	Case upper	510 444B	510 444B	1	
21	Case lower	510 443C	510 443C	1	
22	Housing vent assembly	510 748	510 748	1	
23	Cover	510 463	510 463	1	
24	Cover A	510 664A	510 664A	1	
25	Cap	510 663A	510 663A	1	
26	Clip	007 268	007 268	1	
27	Name plate	073 023	073 024	1	
28	Cover	510 557A	510 557A	1	
29	Packing	011 085A	011 085A	1	

Item	Description	Part Number		Qty	Remark
		MY30AFD-2	MY30CFD-2		
30	Packiing	011 084A	011 084A	4	
31	Packiing	001 093	001 093	1	
32	Shim	003 096	003 096	-	
		003 097	003 097	-	
		003 098	003 098	-	
33	E ring	022 012	022 012	1	
34	Clamp	007 273	007 273	1	
35	Glow plug assembly	061 121	061 121	1	
36	Motor assembly	050 006	050 053	1	
37	Motor resistor assembly	060 194B	060 194B	1	
38	Flame sensor assembly	059 187	059 187	1	Close @ 70°C
39	Flame sensor bracket	059 181	059 181	1	
40	Clamp	510 527A	510 527A	1	
41	Overheat thermostat	059 232	059 232	1	Overheat 260°C
42	Cable assembly	063 799B	063 973	1	
43	Fuse	065 119	065 120	1	24V=5A 12V = 8A
44	Cable assembly	063 723	063 723	1	Glowplug +
45	Cable assembly	063 802	063 802	1	Glow plug -
46	Grommet	018 076A	018 076A	1	
47	Cap	015 042	015 042	1	
48	Air inlet assembly	510 558	510 558	1	
49	Name plate	073 048A	073 048A	1	
50	Bolt	BW13=0660	BW13=0660	3	
51	Bolt	BW13=0620	BW13=0620	4	
52	Cross screw	CW2=0412	CW2=0412	5	
53	Cross screw	CW2=0306	CW2=0306	4	
54	Exhaust pipe stub	510 667A	510 667A	1	
55	Branch assembly	510 542	510 542	1	
56	Glow resistor assembly	060 164A	-----	1	24 volt only
57	Control box assembly	057 306G	057 309G	1	
58	Fuel pump assembly	503 246A	503 245A	1	
59	Air inlet silencer	533 722A	533 722A	1	
60	Control panel assembly	056 488A	056 489A	1	
61	Panel	056 542	056 542	1	Control panel
62	Fuse	065 102	065 102	1	Main fuse
63	Fuse	065 127	065 127	1	Glow plug fuse
64	Fuse holder	065 101	065 101	1	30 Amp
65	Fuse holder	065 125	065 125	1	25 Amp
66	Bracket	065 087	065 087	2	for fuse holder
67	Exhaust silencer	533 598A	533 598A	1	

MY30



MY30

Item	Description	Part Number		Qty	Remark
		24V	12V		
		MY30AFD-2	MY30CFD-2		
1	Heater assembly	MY30AFD-2	MY30CFD-2	1	
2	Exhaust stub	510 667A	510 667A	1	
3	Branch assembly	510 542	510 542	1	
4	Control box assembly (ECU)	057 306H	057 309H	1	
5	Fuel pump assembly	503 246A	503 245A	1	
6	Silencer assembly	533 722A	533 722A	1	
7	Glow resistor assembly	060 164A	–	1	24V version only
	Accessory Kit	930A01	930C01		
8	Exhaust silencer	533 589A	1		
9	Solenoid valve assembly	041 103C	041 145A	1	
10	Cable assembly	063 805E	063 806E	1	
11	Cable assembly	063 1156	1		
12	Combustion air inlet hose	005 116		1	APK Ø 28mm x L 1000mm
13	stainless steel exhaust pipe	005 115A		1	S/S Ø 28mm x L 1000mm
14	Plastic fuel pipe	016 267		1	nylon Ø2 x Ø 4 x L 6000mm
15	Plastic fuel pipe	016 268		1	nylon Ø2 x Ø 4 x L 2000mm
16	T-joint	020 333A		1	Ø 8 x Ø 6 x Ø 8
17	T-joint	020 339		1	Ø 6 x Ø 6 x Ø 6
18	Reducing rubber connector	009 027		1	Ø 3 x Ø 7 x L 50mm
19	Straight rubber connector	016 188		6	Ø 3 x Ø 3 x L 50mm
20	Vent tube	016 152		1	Ø 3 x Ø 3 x L 320mm
21	Nipple	025 167		1	
22	Control panel assembly	056 488A	056 489A	1	
23	Panel	056 542		1	
24	Connector	064 029		1	
25	Terminal	064 030		1	
26	Housing	064 187		1	
27	Terminal	064 122		1	
28	Housing	064 197		1	
29	Terminal	064 027		2	
30	Housing	064 247		1	
31	Terminal	064 006		2	
32	Screw	001 143		2	
33	Washer	W1 - 04		2	
34	Spring washer	W4 - 04		2	


MY30

Item	Description	Part Number		Qty	Remark
		24V	12V		
		MY30AFD-2	MY30CFD-2		
35	Nut	NI - 04		1	
37	Fuse holder	065 101		1	30A
38	Fuse holder	065 125		1	25A
39	Fuse	065 102		1	30A
40	Fuse	065 127		1	25A
41	Fuse holder bracket	065 087		1	
42	Fuel pump bracket	510 600		1	
43	Pump support bracket	533 597		1	
44	Anti vibration rubber pad	013 273		1	
45	Fuel pump clamp	007 342		1	
46	Bolt	501 716		1	
47	Bolt	BW3 - 0522		6	
48	Nut	NI - 05		1	
49	Nut	NIS - 05		1	
50	Spring washer	W4 - 05		1	
51	Spring washer	W4S - 05		1	
52	s/s exhaust clamp	007 320A		1	
53	28mm hose clip	007 272		1	
54	Fuel pipe clip	007 329		16	
55	P' clip	007 059		1	for combustion air silencer
56	P' clip	007 344		1	for combustion air pipe
Optional Parts					
59	Standpipe assembly	501 696A			Fuel filter Ø 2 x Ø 4 x L 600mm
60	Reducing rubber connector	009 027			Ø 6 - Ø 4mm
61	T-joint	020 334A			Ø 10 x Ø 6 x Ø 10 mm
62	T-joint	020 366			Ø 12 x Ø 6 x Ø 12 mm
63	Fuel filter	040 048			
64	Fuel pump cover	501 654			
65	80mm Hot air ducting	005 114			APK Ø 80mm x L 1000mm
66	80mm hose clip	007 153			for hot air ducting

Mikuni Heating (UK) Limited

Units 6 & 7, Second Avenue Business Park, Millbrook
Southampton, Hampshire SO15 0LP

 **T:** 0044 (0)23 8052 8777


 **F:** 0044 (0)23 8052 8808

 **E:** sales@mikuniheating.com

 Engine Pre-Heating

 Truck Cab Heating

 Ambulance Heating

 Minibus Heating

 Crane Heating

 RV Heating

 Utility Vehicles

 Marine Warm Air Systems

 Marine Wet Systems

 Marine De-Mist Systems



www.mikuniheating.com



M I K U N I